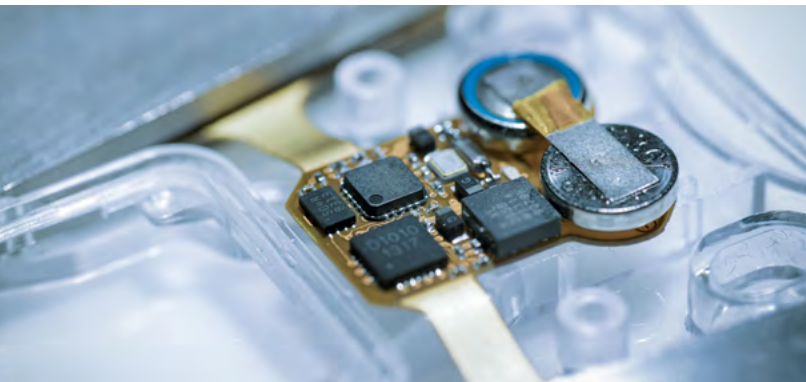




# ORTHOSENSOR®



## PRODUCT CATALOG

UNITED STATES OF AMERICA



## Ordering Information

To place an order, call or fax Customer Service (8am–5pm EST)

U.S. Only +1 888.75.ORTHO (+1 888.756.7846) | Tel +1 954.577.7770 | Fax +1 954.337.9222

---

**PRICE AND PAYMENT TERMS** Prices are subject to change without notice. Payments are net 30 days from date of invoice.

**SHIPPING** All OrthoSensor products are shipped F.O.B. domestic destinations, standard air or equivalent. Please allow five (5) days for delivery. Rush (air freight) orders are shipped F.O.B. (City, State).

**CREDIT AND RETURNS** Full credit will be given for unopened, undamaged and unmarked packages returned within 60 days from date of invoice.



CUSTOMER SERVICE 8am–5pm | Tel +1 888.75.ORTHO (+1 888.756.7846) | Fax +1 954.337.9222



## Table of Contents

VERASENSE for Smith & Nephew Journey II	4
VERASENSE for Smith & Nephew Legion	5
VERASENSE for Stryker Triathlon	6
VERASENSE for Zimmer Biomet NexGen	7
VERASENSE for Zimmer Biomet Vanguard	8
LinkStation™ MINI	9
LinkStation™ MINI Replacement Parts	10



**VERASENSE for Smith & Nephew® Journey® II:**  
9, 10, 11, 12, 13, 15 mm Shims

PRODUCT NUMBER	SIZE	DESCRIPTION	QTY	LIST PRICE
SNN-JRNYBCS12-L	1-2 Left	VERASENSE for: Journey II BCS 1-2 Left	1 ea.	\$ 995
SNN-JRNYBCS12-R	1-2 Right	VERASENSE for: Journey II BCS 1-2 Right	1 ea.	\$ 995
SNN-JRNYBCS34-L	3-4 Left	VERASENSE for: Journey II BCS 3-4 Left	1 ea.	\$ 995
SNN-JRNYBCS34-R	3-4 Right	VERASENSE for: Journey II BCS 3-4 Right	1 ea.	\$ 995
SNN-JRNYBCS56-L	5-6 Left	VERASENSE for: Journey II BCS 5-6 Left	1 ea.	\$ 995
SNN-JRNYBCS56-R	5-6 Right	VERASENSE for: Journey II BCS 5-6 Right	1 ea.	\$ 995
SNN-JRNYBCS78-L	7-8 Left	VERASENSE for: Journey II BCS 7-8 Left	1 ea.	\$ 995
SNN-JRNYBCS78-R	7-8 Right	VERASENSE for: Journey II BCS 7-8 Right	1 ea.	\$ 995
SNN-JRNYCR12-L	1-2 Left	VERASENSE for: Journey II CR 1-2 Left	1 ea.	\$ 995
SNN-JRNYCR12-R	1-2 Right	VERASENSE for: Journey II CR 1-2 Right	1 ea.	\$ 995
SNN-JRNYCR34-L	3-4 Left	VERASENSE for: Journey II CR 3-4 Left	1 ea.	\$ 995
SNN-JRNYCR34-R	3-4 Right	VERASENSE for: Journey II CR 3-4 Right	1 ea.	\$ 995
SNN-JRNYCR56-L	5-6 Left	VERASENSE for: Journey II CR 5-6 Left	1 ea.	\$ 995
SNN-JRNYCR56-R	5-6 Right	VERASENSE for: Journey II CR 5-6 Right	1 ea.	\$ 995
SNN-JRNYCR78-L	7-8 Left	VERASENSE for: Journey II CR 7-8 Left	1 ea.	\$ 995
SNN-JRNYCR78-R	7-8 Right	VERASENSE for: Journey II CR 7-8 Right	1 ea.	\$ 995



**VERASENSE for Smith & Nephew® Legion®:**  
9, 10, 11, 12, 13, 15 mm Shims

PRODUCT NUMBER	SIZE	DESCRIPTION	QTY	LIST PRICE
SNN-LGNPS12	1-2	VERASENSE for: Legion PS size 1-2	1 ea.	\$ 995
SNN-LGNPS34	3-4	VERASENSE for: Legion PS size 3-4	1 ea.	\$ 995
SNN-LGNPS56	5-6	VERASENSE for: Legion PS size 5-6	1 ea.	\$ 995
SNN-LGNPS78	7-8	VERASENSE for: Legion PS size 7-8	1 ea.	\$ 995
SNN-LGNCR12	1-2	VERASENSE for: Legion CR size 1-2	1 ea.	\$ 995
SNN-LGNCR34	3-4	VERASENSE for: Legion CR size 3-4	1 ea.	\$ 995
SNN-LGNCR56	5-6	VERASENSE for: Legion CR size 5-6	1 ea.	\$ 995
SNN-LGNCR78	7-8	VERASENSE for: Legion CR size 7-8	1 ea.	\$ 995



**VERASENSE for Stryker® Triathlon®:**

\*Includes 11, 13, 16mm Shims  
 \*\*Includes 9, 11, 13, 16mm Shims

PRODUCT NUMBER	SIZE	DESCRIPTION	QTY	LIST PRICE
SYK-TRCR 02	2	VERASENSE for: Stryker Triathlon size 2*	1 ea.	\$ 995
SYK-TRCR 03	3	VERASENSE for: Stryker Triathlon size 3**	1 ea.	\$ 995
SYK-TRCR 04	4	VERASENSE for: Stryker Triathlon size 4**	1 ea.	\$ 995
SYK-TRCR 05	5	VERASENSE for: Stryker Triathlon size 5**	1 ea.	\$ 995
SYK-TRCR 06	6	VERASENSE for: Stryker Triathlon size 6**	1 ea.	\$ 995
SYK-TRCR 07	7	VERASENSE for: Stryker Triathlon size 7*	1 ea.	\$ 995

PRODUCT NUMBER	DESCRIPTION	QTY	LIST PRICE
03000-501	VERASENSE Handle	1 ea.	\$ 675



**VERASENSE for Zimmer Biomet NexGen®:**  
12, 14, 17mm Shims

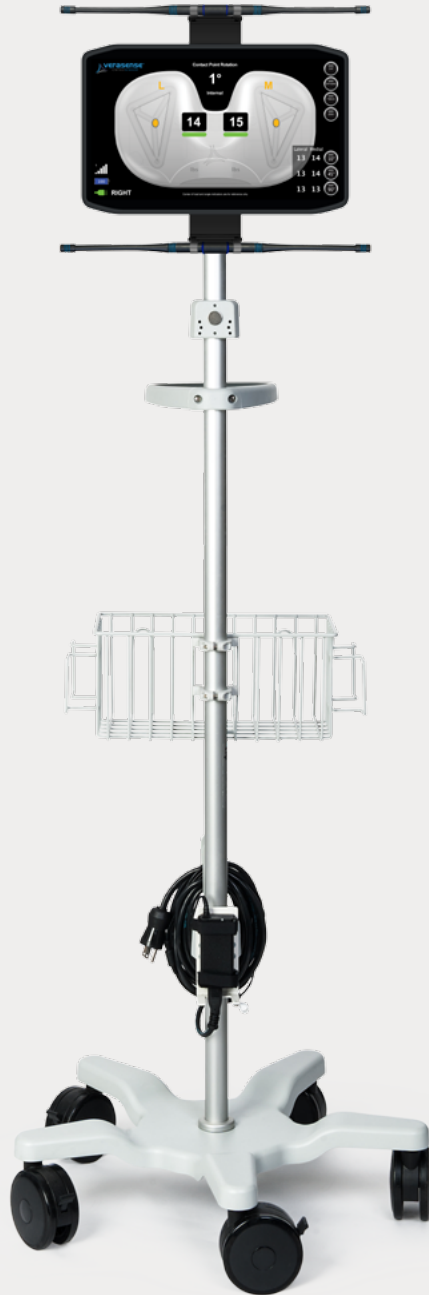
PRODUCT NUMBER	SIZE	DESCRIPTION	QTY	LIST PRICE
ZMR-NGCRCH34	C-H/3-4	VERASENSE for: Zimmer NexGen CR C-H/3-4	1 ea.	\$ 995
ZMR-NGCRCH56	C-H/5-6	VERASENSE for: Zimmer NexGen CR C-H/5-6	1 ea.	\$ 995
ZMR-NGCRCH70	C-H/7-0	VERASENSE for: Zimmer NexGen CR C-H/7-10	1 ea.	\$ 995
ZMR-NGPSCD34	C-D/3-4	VERASENSE for: Zimmer NexGen PS C-D/3-4	1 ea.	\$ 995
ZMR-NGPSEF34	E-F/3-4	VERASENSE for: Zimmer NexGen PS E-F/3-4	1 ea.	\$ 995
ZMR-NGPSEF56	E-F/5-6	VERASENSE for: Zimmer NexGen PS E-F/5-6	1 ea.	\$ 995



**VERASENSE for Zimmer Biomet Vanguard®:**  
10, 12, 14, 16, 18mm Shims

PRODUCT NUMBER	SIZE	DESCRIPTION	QTY	LIST PRICE
BMT-VGCR 63	63	VERASENSE for: Biomet Vanguard CR	1 ea.	\$ 995
BMT-VGCR 71	71	VERASENSE for: Biomet Vanguard CR	1 ea.	\$ 995
BMT-VGCR 79	79	VERASENSE for: Biomet Vanguard CR	1 ea.	\$ 995
BMT-VGPS 63	63	VERASENSE for: Biomet Vanguard PS	1 ea.	\$ 995
BMT-VGPS 71	71	VERASENSE for: Biomet Vanguard PS	1 ea.	\$ 995
BMT-VGPS 79	79	VERASENSE for: Biomet Vanguard PS	1 ea.	\$ 995





### LinkStation™ MINI

PRODUCT NUMBER	DESCRIPTION	QTY	MONTHLY VERASENSE SOFTWARE APPLICATION SUBSCRIPTION LIST PRICE
05000-001	LinkStation MINI Includes: - VERASENSE Software Application - Power cord for United States	1 ea.	\$ 2,925



### LinkStation™ MINI Replacement Parts

PRODUCT NUMBER	DESCRIPTION	QTY	REPLACEMENT PRICE
05000-410	Display Unit Power Cord – US & Canada	1 ea.	\$ 70
07359	Transceiver	1 ea.	\$ 680
883-T	Dual Telescoping	1 ea.	\$ 166
827-09	CCTV Mount 9" w/knob	1 ea.	\$ 113
05000-402	USB Cable	1 ea.	\$ 26
05000-400	Display Unit	1 ea.	\$ 5,645
05000-200	Display Unit Mount with Hardware	1 ea.	\$ 140
05000-100	Roll Stand	1 ea.	\$ 840
FSND75N	0.75" x 0.060" Magnet	1 ea.	\$ 9
05000-107	Power Supply Holster (Not Displayed)	1 ea.	\$ 115





Important information: Only trained medical personnel should use VERASENSE, VERASENSE Software Application, Transceiver and LinkStation MINI. OrthoSensor as the manufacture of this device does not practice medicine and is not responsible for selection of the appropriate surgical technique to be utilized on an individual patient. The surgeon who performs total knee arthroplasty is responsible for determining and utilizing the appropriate techniques for implanting prosthesis in each individual patient. As with any guide, the surgeon should consider the particular condition of the patient and perform the necessary adjustments if required by his/her own surgical judgment. Safety and caution should always be utilized before use of any OrthoSensor product. For the required safety information system device specifications, indications and contraindications for use, and all warning and caution statements please refer to product package insert. For a detailed description of the LinkStation MINI, refer to VERASENSE User Guide. For information related to the use of conventional knee system instrumentation, please refer to the operative techniques and the user documentation supplied by each manufacturer for their respective implant systems.

This product catalog and all the illustrations are the property of OrthoSensor, Inc. Reproduction of any of this material is prohibited without the prior written permission of OrthoSensor, Inc.

[www.OrthoSensor.com](http://www.OrthoSensor.com) | [CustomerService@OrthoSensor.com](mailto:CustomerService@OrthoSensor.com)  
U.S. Only +1 888.75.ORTHO (+1 888.756.7846) | Tel +1 954.577.7770 | Fax +1 954.337.9222  
🏢 OrthoSensor, Inc. | 1855 Griffin Road, Suite A-310 | Dania Beach, Florida 33004 USA